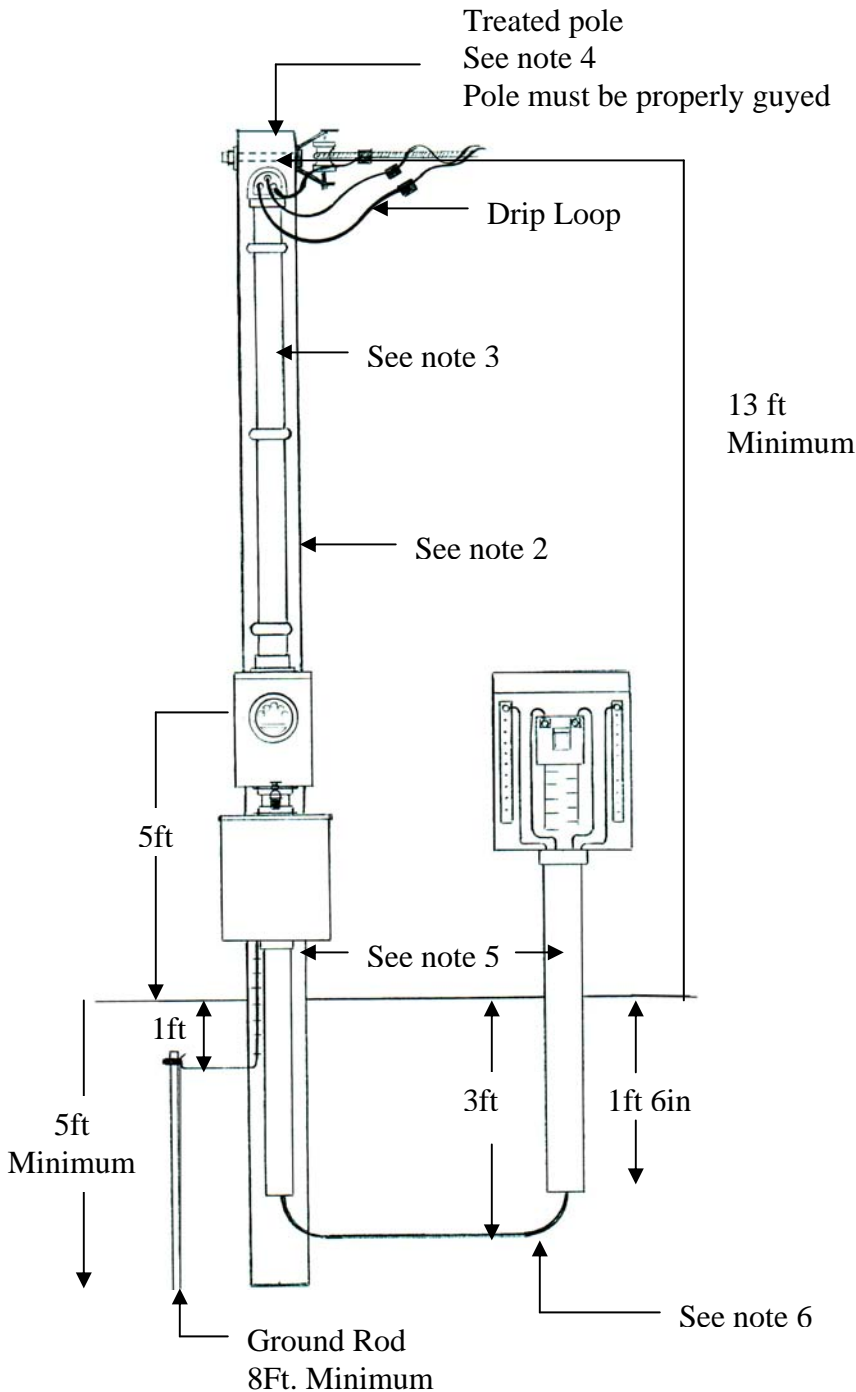




Aiken Electric Cooperative, Inc.
PO Box 417 – 2790 Wagener Rd
Aiken, South Carolina 29802-0417
(803) 649-6245 – Fax (803) 641-8310

Permanent Mobile Home Overhead Service



1. Meter location must be approved by Aiken Electric Co-op
2. All wiring shall be in accordance with the latest edition of the N.E.C., N.E.C.S. and any local government agency having jurisdiction
3. Minimum height weather head 13ft
4. Pole minimum height 20ft
Minimum diameter 6in
5. Minimum size conduit 2 inches
6. Four (4) conductor UF or use cable-direct buried or in conduit.

Note: Please consult applicable County specifications and Code requirements. Multiple ground rods may be required.